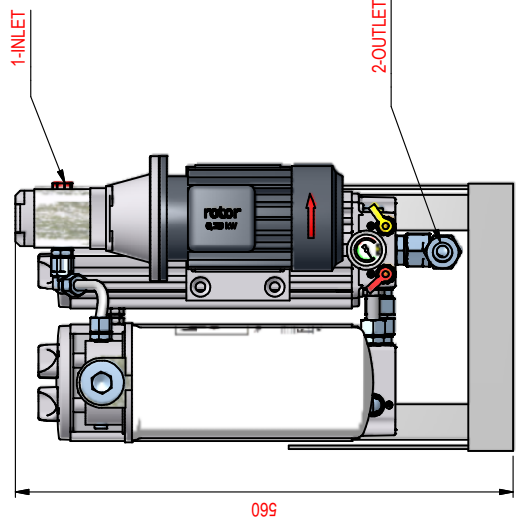
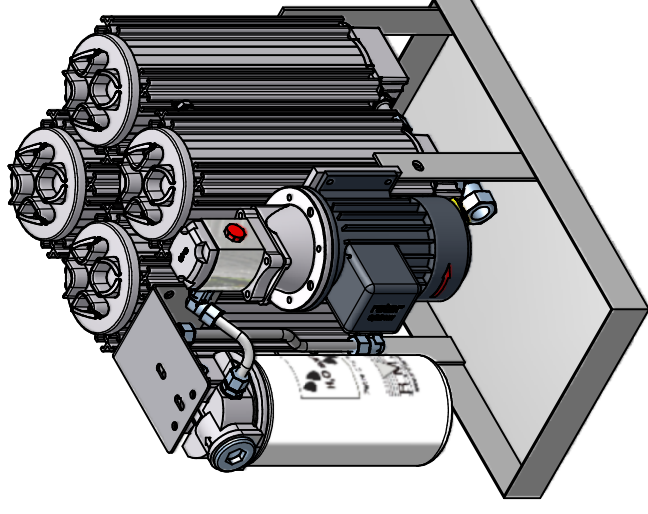


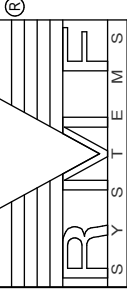
400MM

MINIMUM CLEARANCE
 FOR ELEMENT REMOVAL



MODEL (1 : 6)



2	1	OUTLET	EW 18L	Male	
1	1	INLET	G 1/2" - BSP	Female	
Pos	Qty	Description	Size	Material	Remarks
 SYSTEMS Website : WWW.RMFFILTER.COM Designed by M.W. Designed date 19-11-2008 Design state WorkInProgress Checked by Checked date PROJECTION DIMENSIONAL TOLERANCE ACCORDING TO ISO 2768H / NEN 2285 SCALE : 1:1					
DOCUMENT TITLE			Description		
RMF OLUW4430HB02000A			Name		
RMF - OFF LINE FILTERS WITH H2O SORB			Revision		
ARTICLE NUMBER			DRAWING NUMBER		
A3--9-294-12271			REVISION		

